



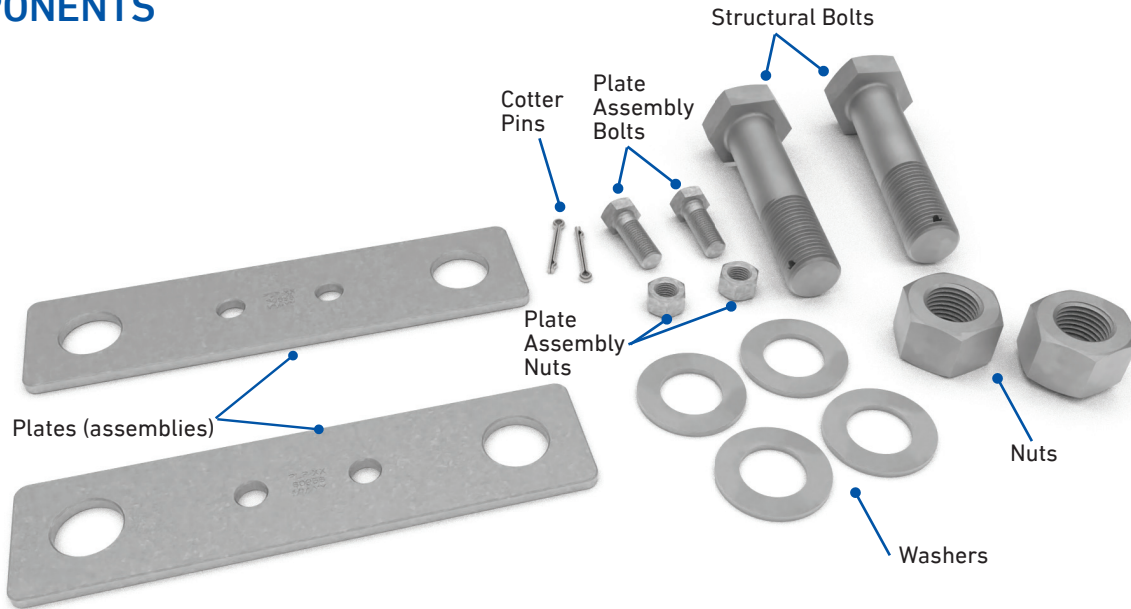
VARI-GRIP™ DEAD-END LINK PLATES

The **VARI-GRIP Dead-End Link Plates** are intended to be an alternate option to anchor shackles and can be used in transmission, tower and antenna, communications, and other types of guyed structures that require the use of galvanized steel strand. The included structural bolts allow for adjustment to accommodate conformal castings and custom anchor plates. VARI-GRIP Link Plates are designed to work with all types of VARI-GRIP Dead-Ends for multiple guy-strand constructions.

FEATURES AND BENEFITS

- Parts are constructed of hot-dipped galvanized steel for corrosion resistance
- Available for strand sizes of .438" - 1.780" (20,800 - 295,500 lb)
- Take-up U-Bolts in sizes 0" and 18" are available for most strand sizes

COMPONENTS



Component	Description
Plates (assemblies)	Galvanized steel plate
Structural Bolts	Galvanized steel structural bolt
Washers	Galvanized steel washer
Nuts	Galvanized steel nuts
Cotter Pins	Stainless steel
Plate Assembly Bolts	Galvanized steel bolt for mending together assembly plates when more than one plate is necessary
Plate Assembly Nuts	Galvanized steel nuts to be used with plate assembly bolts

NOTE: Smaller bolts in the plate assemblies are not to be removed under any circumstances.

ORDERING INFORMATION

VARI-GRIP Dead-End Link Plates

	Catalog Number					
	VLP-0600	VLP-0601	VLP-0603	VLP-0605	VLP-0606	VLP-0607
Maximum Strength Rating (lb)	42,400	80,000	108,000	156,000	192,000	252,000
Strand Size (in)	EHS 7/16 EHS 1/2 EHS 9/16 EHS 5/8	EHS 3/4 BS 3/4 EHS 7/8 BS 13/16	BS 7/8 EHS 1 BS 15/16	BS 1 BS 1-1/16 EHS 1-1/8 BS 1-1/8	BS 1-3/16 EHS 1-1/4 BS 1-1/4	BS 1-5/16 BS 1-3/8 BS 1-7/16
Conformal Casting	N/A	N/A	N/A	Yes	Yes	Yes
U-Bolt Size (in)	5/8-3/4	1	1-1/8	1-1/2	1-1/2	1-3/4
Thru hole Diameter (in)	1	1-1/2	1-1/2	1-7/8	2-3/8	2-3/8
Structural Bolt Diameter (in)	7/8	1-1/4	1-3/8	1-3/4	2	2-1/4