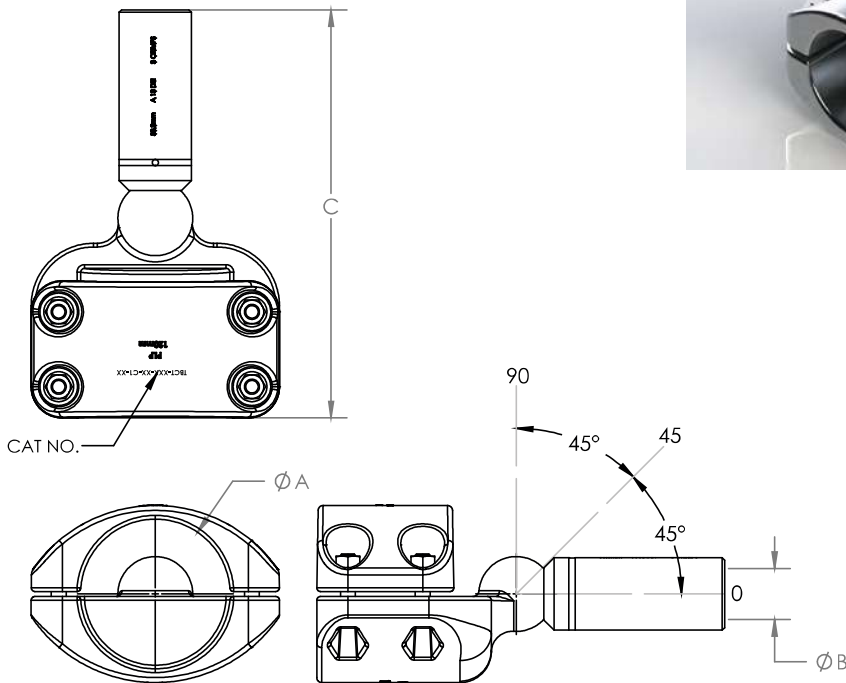


TBCT-C1



NOTES:

- To connect a busbar to stranded conductor.
- Material: Fasteners for:
Tube diam. 80-120mm
Stainless steel Gr. A4.
Extruded aluminium tubing
Components are cast aluminium.
- Bolt torque values:
M10 (St steel) 35Nm
M12 (St steel) 60Nm
- Cat No. to be stamped in location shown.
- All bolted joint clamp and conductor/busbar surfaces to be cleaned with a stainless steel wire brush and a suitable conductive grease applied before use.
- Supplied in a clear, sealed, heavy duty, UV stabilized plastic bag.

ESKOM CODE	PLP CATALOGUE NO.	TUBE		(C) mm	ANGLE OFFSET	MINIMUM RATED CURRENT @ 90°C	MAXIMUM VOLTAGE kV rms	WEIGHT kg
		DIAM. (A) mm	CONDUCTOR DIAM. (B) mm					
ETP-TE-IL-1-A	TBCT-80-26-C1-0	80	1X26.5	300	0	900	145	2.6
ETP-TE-IL-1-B	TBCT-80-38-C1-0	80	1X38.3	300	0	1350	145	2.7
ETP-TE-IL-1-E	TBCT-120-26-C1-0	120	1X26.5	330	0	900	145	4.2
ETP-TE-IL-1-F	TBCT-120-38-C1-0	120	1X38.3	330	0	1350	145	4.3
ETP-TE-IL-1-G	TBCT-200-38-C1-0	200	1X38.3	355	0	1350	145	11.0
ETP-TE-IL-1-H	TBCT-250-38-C1-0	250	1X38.3	415	0	1350	145	12.6